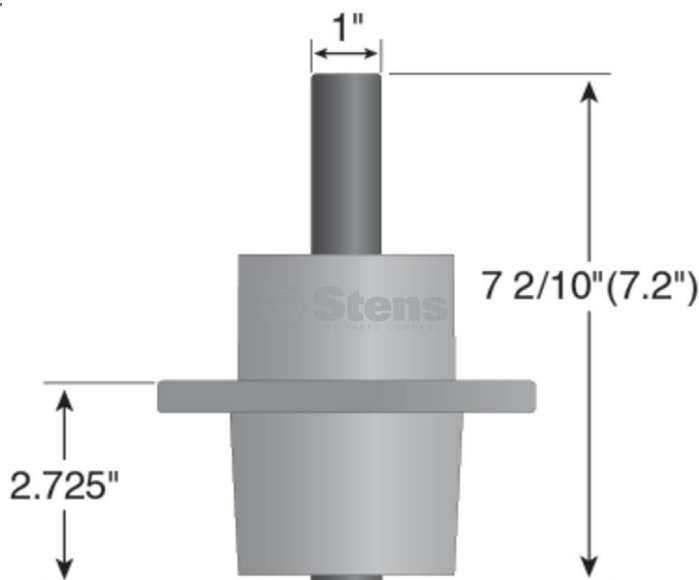


Spindle Assembly (Scag 46400) Stens

Produkt



Spindle Assembly Scag 46400 Height: 7 3-16" Height 7 3-16" ID 5-8" OD 1" Aluminum assembly 1-4" keyway With threaded grease fitting For newer models with 1 1-8" shaft OD, use part no. 285-597 Old style Use with 230-086 Spindle Bearing 230-086 Spindle Bearing, Use with 230-090 Spindle Bearing 230-090 Spindle Bearing

STENS produktbeskrivelse:

- 1/4" keyway
- Aluminum assembly
- For newer models with 1 1/8" shaft OD, use part no. 285-597
- Old style
- With threaded grease fitting
- 7 1/4"
- 5/8"
- 1"

Stens

Varegruppe	Spindle Assembly
Antall pr. artikkel	1 stk
Passer modell	Ferris ISZKAV-ISZ25K with 52" and 61" deck; Hydro walk behind "Dual Drives" Serial No. 1233 and lower with 48", 52" and 61" deck Scag 36", 48", 52", 61" and 72" walk behind decks Wright Mfg. small and large frame Stander
Inkludert i	Use with 230-086 Spindle Bearing 230-086 Spindle Bearing, Use with 230-090 Spindle Bearing 230-090 Spindle Bearing
Tilleggsinfo	Use with 230-086 Spindle Bearing 230-086 Spindle Bearing, Use with 230-090 Spindle Bearing 230-090 Spindle Bearing
Delenummer konkurrenter	14283 24120 251-7301 292020 5722 6503335 7-03100 82-053 82-309 82-350 B1CO73 B1SC72 B1SC85 CO-73 JT-132C SH7522 SH9153
Cross Sell	230-086, 230-090
Up Sell	Use with 230-086 Spindle Bearing 230-086 Spindle Bearing, Use with 230-090 Spindle Bearing 230-090 Spindle Bearing

**Produsentens
merkevare** Stens

GTIN-nummer 023899089604

OEM-nummer Encore: 71460007. Ferris: 1530301, 30301, 5030301, 5061033, 5061033SM. Scag: 46020, 46400. Snapper: 3036300. Wright
Mfg.: 71460007

Vekt 1.89 Kg

Lengde 201.0 mm

Høyde 147.0 mm

Bredde 150.0 mm

Les mer om produktet her:

<https://www.ariens.no/product?number=285-201>